

New Media Diplex, Triplex & Quad Modules



New Media Diplex, Triplex & Quad Modules



The New Media Modules offer a flexible build solution to a host of individual power socket outlet requirements. The clip fit grid modules are simple to install in their blank mounting plates.

New Media Diplex, Triplex & Quad Modules

Product Range

New Media Power Socket Outlets

MM420**	Diplexed TV & Radio Module
MM425**	Diplexed TV & Satellite Module
MM427**	Diplexed TV & Satellite Module (Un-printed)
MM430**	Triplexed TV, Radio & Satellite Module
MM440**	Quad TV, Radio, Sat 1 & Sat 2 Module



MM420BK



MM425WH



MM427BK



MM430WH

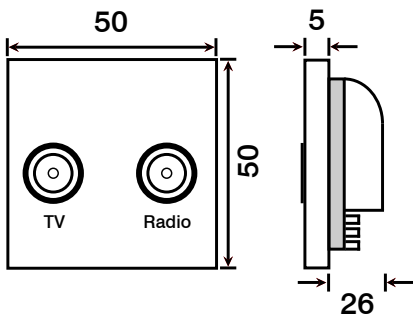


MM440BK

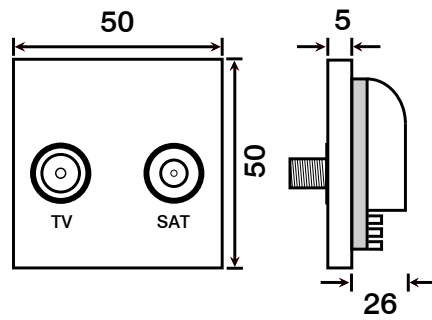
New Media Duplex, Triplex & Quad Modules

Product Dimensional Drawings (mm)

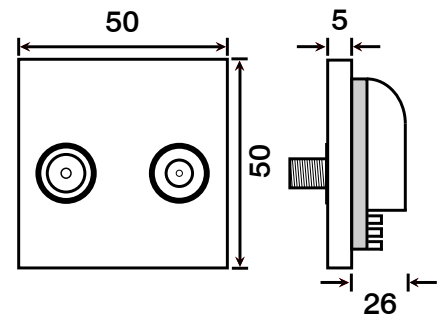
MM420



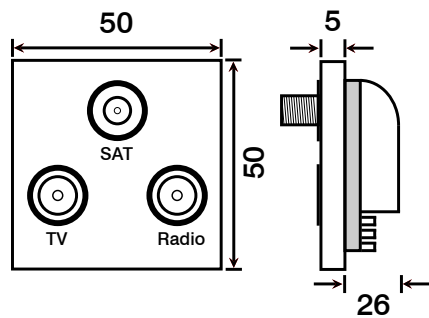
MM425



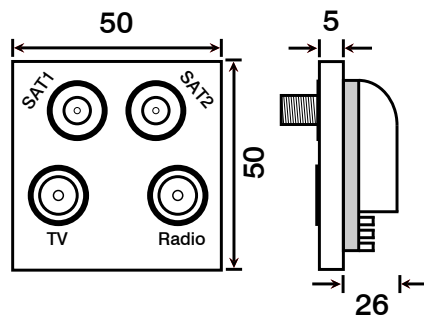
MM427



MM430



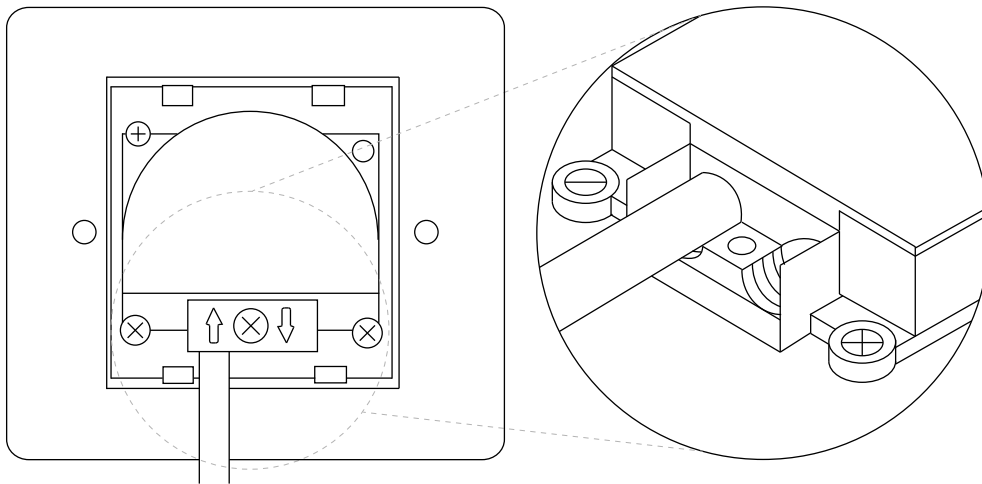
MM440



New Media Duplex, Triplex & Quad Modules

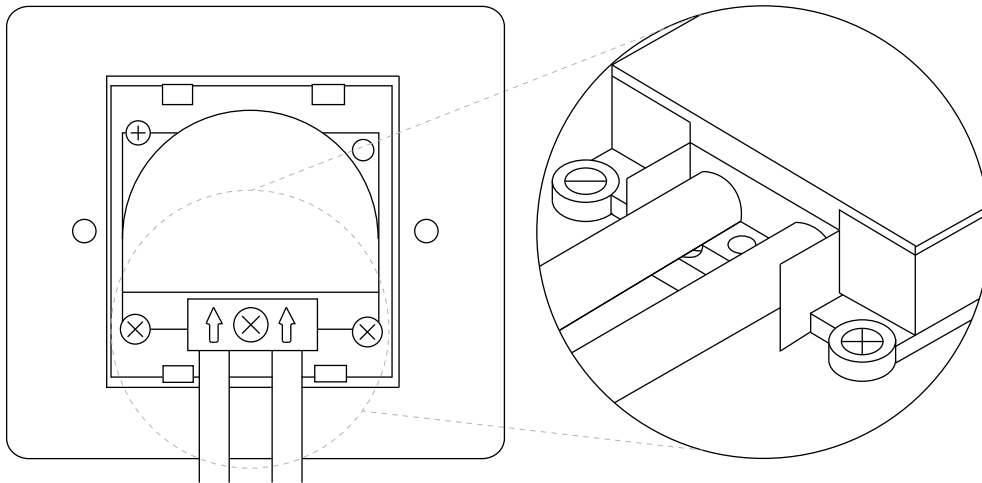
Wiring Diagrams

MM420, MM425, MM427, MM430



Single Supply - TV, Radio & SAT

MM440



Twin Supply -
1. TV, Radio & SAT 1
2. SAT 2

New Media Diplex, Triplex & Quad Modules

Technical Specification

New Media Diplex, Triplex & Quad Modules

Material Composition	Module: Polycarbonate Rear Housing: Pressed & Cast Zinc Terminal Screw: Steel
Back Box Depth	35mm - 47mm (Dependant on Mounting Plate Used)
Module Size	Twin Width (50mm x 50mm)
Modular	Yes
Warranty	1 Year
IP Rating	IP20
Operational Temperature	-5° to +40°C
Standards	BS 5733:1995

Additional Information

Standard Euro Module Size.

All Diplexed, Tripexed & Quad modules require installation of a signal combining distribution amplifier such as a media distribution unit.

Not suitable for use in the Republic of Ireland.

New Media Diplex, Triplex & Quad Modules

Technical Details

New Media Diplex, Triplex & Quad Modules

MM405			Single 'F' Satellite
Connection	Frequency	Insertion Loss (dB) (Typical)	
In to out	5 to 2300 MHz	1.6	
Power pass to connection			
MM410			Single IEC Female
Connection	Frequency	Insertion Loss (dB) (Typical)	
In to out	5 to 862 MHz	0.3	
Power pass to connection			
MM415			Single IEC Male
Connection	Frequency	Insertion Loss (dB) (Typical)	
In to out	5 to 862 MHz	0.3	
Power pass to connection			
MM420			Diplexed TV & Radio
Connection	Frequency	Insertion Loss (dB) (Typical)	
In to Radio	87.5 to 230 MHz	2.0	
In to TV	47 to 68 MHz	1.5	
In to TV	254 to 862 MHz	2.0	
Power pass to TV			
MM425			Diplexed TV & Satellite
Connection	Frequency	Insertion Loss (dB) (Typical)	
In to TV	47 to 862MHz	2.0	
In to Satellite	950 to 2150 MHz	2.5	
In to Satellite	2150 to 2400 MHz	3.0	
Power pass to satellite			
MM430			Triplexed TV, Radio & Satellite
Connection	Frequency	Insertion Loss (dB) (Typical)	
In to Radio	87.5 to 230MHz	3.0	
In to TV	47 to 68MHz	2.0	
In to TV	254 to 862MHz	2.0	
In to Satellite	950 to 2300 MHz	3.0	
Power pass to satellite			
MM440			Quad TV, Radio, Satellite 1 & Satellite 2
Connection	Frequency	Insertion Loss (dB) (Typical)	
In to Radio	87.5 to 230MHz	3.0	
In to TV	470 to 862MHz	2.5	
In to Satellite 1	950 to 2300 MHz	3.0	
In to Satellite 2	25 to 2400 MHz	1.5	
Power pass to satellite 1 & satellite 2			

Errors & Omissions excluded. Specification is subject to change without notice.

V1.0

Scolmore International Ltd, 1 Scolmore Park, Landsberg, Lichfield Road Ind. Estate, Tamworth, Staffordshire, B79 7XB

Telephone: 01827 63454

E-mail: sales@scolmore.com, technical@scolmore.com

Facsimile: 01827 63362

Website: www.scolmore.com



DECLARATION OF CONFORMITY

1. *Issuer Name* Scolmore International Limited
2. *Issuer Address* 1 Scolmore Park, Landsberg,
Lichfield Road Industrial Estate,
Tamworth, Staffordshire, B79 7XB
3. *Object(s) of Declaration* New Media Range
 - a. *Group* Diplex, Triplex & Quad Modules
 - b. *Model No.* MM420, MM425, MM427, MM430, MM440
4. *The object of the declaration described above is in conformity with the requirements of the following Legislations:*
5. *All products contained within the aforementioned comply with the relevant standards and requirements listed below.*

BS 5733 : 1995 (where applicable)

6. *I hereby declare that the equipment named above has been designed to comply with the relevant sections of the above referenced specifications. The unit complies with all applicable Essential Requirements of the Directives.*

In conjunction with the above all manufacture and process controls are in accordance with ISO 9001:2008

Signed, for and on behalf of: Scolmore International Limited

Steven Bettson BSc - Senior Technical Support Engineer

CE 15